



technical data

Indoor Units
FTXG-JV1BW_JV1BS

air conditioning systems

R-410A



technical data

Indoor Units
FTXG-JV1BW_JV1BS

air conditioning systems

R-410A

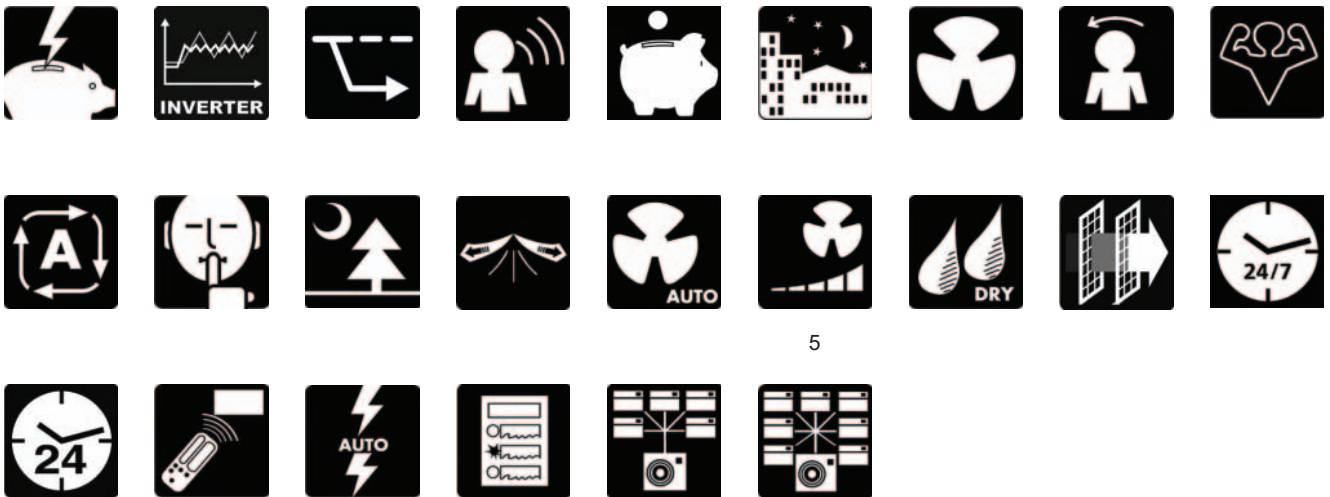
TABLE OF CONTENTS

FTXG-JV1BW_FTXG-JV1BS

1	Features	2
2	Specifications	3
	Technical specifications	3
	Technical specifications	4
	Technical Specifications	4
	Electrical specifications	5
3	Dimensional drawing & centre of gravity	6
	Dimensional drawing	6
	Centre of gravity	7
4	Piping diagram.....	8
5	Wiring diagram.....	9
	Wiring diagram	9
6	Sound data.....	10
	Sound pressure spectrum	10

1 Features

- Remarkable blend iconic design and engineering excellence with an elegant finish in brushed aluminium or matt crystal white
- Weekly timer can be set to start heating or cooling anytime on a daily or weekly basis
- Comfort mode guarantees draught free operation by preventing that warm or cold air is directly blown on to the body
- Indoor unit silent operation: "silent" buttons on the remote control lower the operating sound of the indoor unit by 3dBA each
- Movement sensor saves power consumption in unoccupied rooms: when the room is empty, the unit switches to economy mode after 20 minutes and restarts when a person enters the room
- Night quiet mode automatically reduces the operation sound of the outdoor unit by 3 dBA during night time (multi outdoors in cooling mode only) Night set mode saves energy by preventing overcooling or overheating during night time. Powerful mode can be selected for rapid heating or cooling; after the powerful mode is turned off, the unit returns to the preset mode
- Titanium apatite photocatalytic air purification filter removes airborne microscopic particles, powerfully decomposes odours and helps to prevent the propagation of bacteria, viruses, microbes to ensure a steady supply of clean air



5

2 Specifications

2 - 1 Technical specifications

2-1 Technical Specifications				FTXG25JV1BS	FTXG25JV1BW	FTXG35JV1BS	FTXG35JV1BW
Air direction control				Left, right, up and downwards			
Air filter				Removable/washable/Mildew proof			
Casing	Colour			Silver	White	Silver	White
Dimensions	Packing	Height	mm	377			
		Width	mm	1,003			
		Depth	mm	285			
	Unit	Height	mm	295			
		Width	mm	915			
		Depth	mm	155			
Weight	Unit			kg			
	Packed Unit			16	15	16	15
Heat Exchanger	Dimensions	Length	mm	610			
		Nr of Rows		2			
		Fin Pitch	mm	1.20			
		Nr of Stages		18			
	Tube type			ø6.35 Hi-XD tube			
	Fin	Type			Multi slit fin		
Fan	Type			Cross flow fan			
Air Flow Rate	Cooling	High	cfm	311		357	
		Nominal	cfm	240		258	
		Low	cfm	166		162	
		Silent Operation	cfm	134		138	
	Heating	High	cfm	339		381	
		Nominal	cfm	279		304	
		Low	cfm	219		226	
		Silent Operation	cfm	191		198	
Air Flow Rate	Cooling	High	m³/min	8.8		10.1	
		Nominal	m³/min	6.8		7.3	
		Low	m³/min	4.7		4.6	
		Silent Operation	m³/min	3.8		3.9	
	Heating	High	m³/min	9.6		10.8	
		Nominal	m³/min	7.9		8.6	
		Low	m³/min	6.2		6.4	
		Silent Operation	m³/min	5.4		5.6	
Fan	Motor	Model	KFD-280-40-8G				
Power input	Cooling	Nom.	kW	0.018		0.026	
	Heating	Nom.	kW	0.024		0.032	
Motor	Speed (heating)	High	rpm	1,560		1,720	
		Nominal	rpm	1,330		1,430	
		Low	rpm	1,110		1,140	
		Silent Operation	rpm	1,000		1,030	
		Steps			5 + silent, + auto		
Motor	Speed (Cooling)	High	rpm	1,440		1,640	
		Nominal	rpm	1,170		1,270	
		Low	rpm	900		910	
		Silent Operation	rpm	780		810	
Fan	Motor	Output (high)	W	29			
Cooling	Sound Power	High	dBA	54		58	
		Low	dBA	25		26	
	Sound Pressure	High	dBA	38		42	
		Nominal	dBA	32		34	
		Silent Operation	dBA	22		23	

2 Specifications

2 - 1 Technical specifications

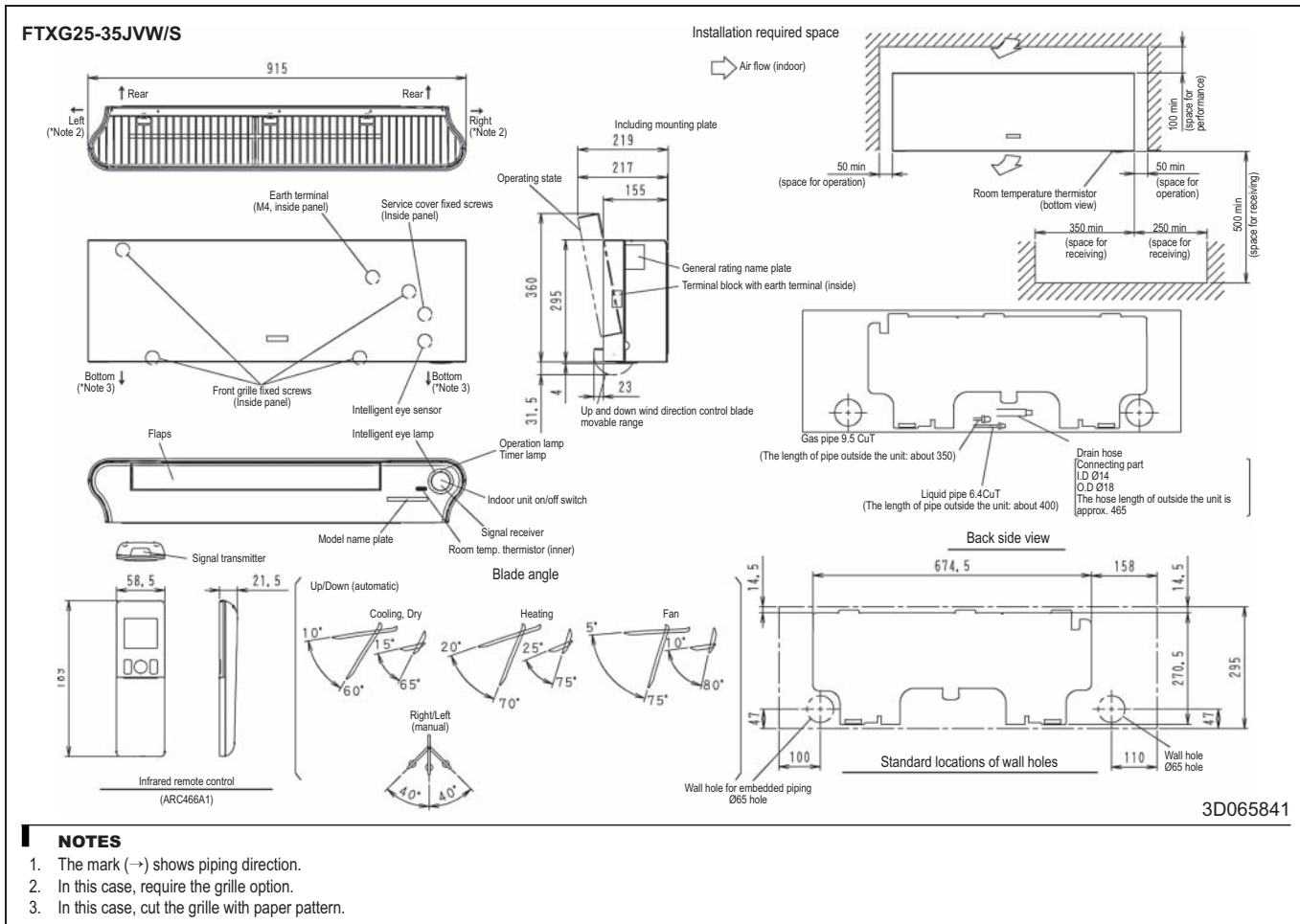
2-1 Technical Specifications				FTXG25JV1BS	FTXG25JV1BW	FTXG35JV1BS	FTXG35JV1BW
Heating	Sound Power	High	dBA	55		58	
		High	dBA	39		42	
	Sound Pressure	Nominal	dBA	34		36	
		Low	dBA	28		29	
		Silent Operation	dBA	25		26	
Refrigerant	Type			R-410A			
Temperature control				Microcomputer control			
Notes				The silent fan level of the air flow rate setting			
				When connected with multi-system outdoor unit, refer to the specifications of the multi outdoor unit to be connected			
				50Hz, 220-230-240V;4;220V;5;230V;6;240V			

2 - 2 Electrical specifications

2-2 Electrical Specifications				FTXG25JV1BW	FTXG25JV1BS	FTXG35JV1BW	FTXG35JV1BS
Power Supply	Name			V1			
	Phase			1			
	Frequency		Hz	50			
	Voltage		V	220-230-240			
Current	Nominal running current (RLA) - 50Hz	Cooling	A	0.090		0.130	
				0.080		0.120	
				0.080		0.120	
	Heating	A	0.120		0.160		
			0.110		0.150		
			0.110		0.140		

3 Dimensional drawing & centre of gravity

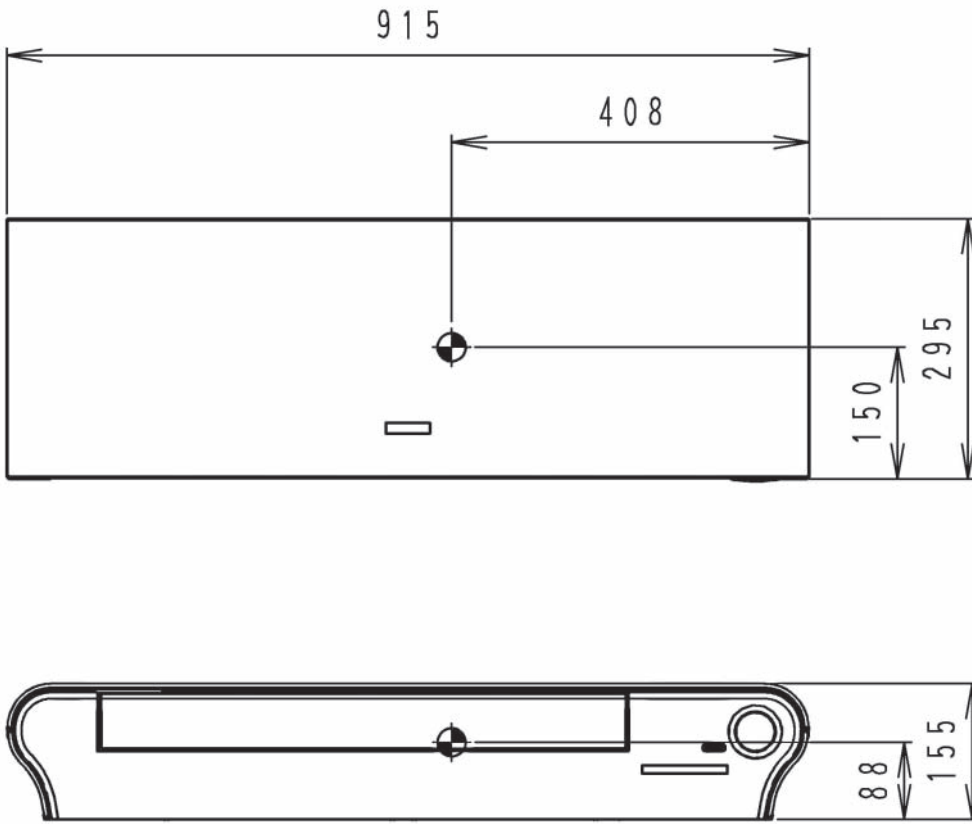
3 - 1 Dimensional drawing



3 Dimensional drawing & centre of gravity

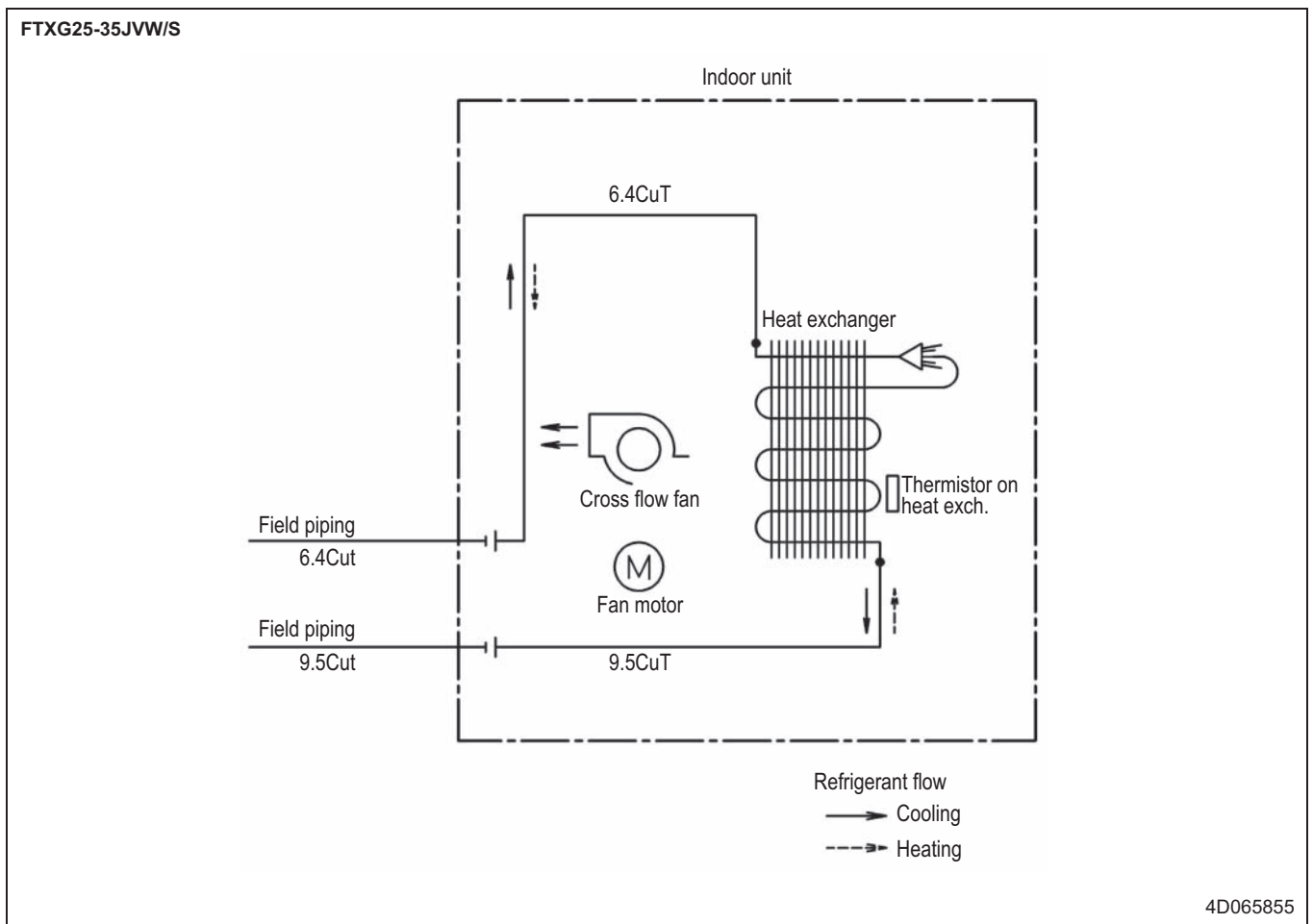
3 - 2 Centre of gravity

FTXG25-35JVW/S
CTXG50JVW/S



4D065844

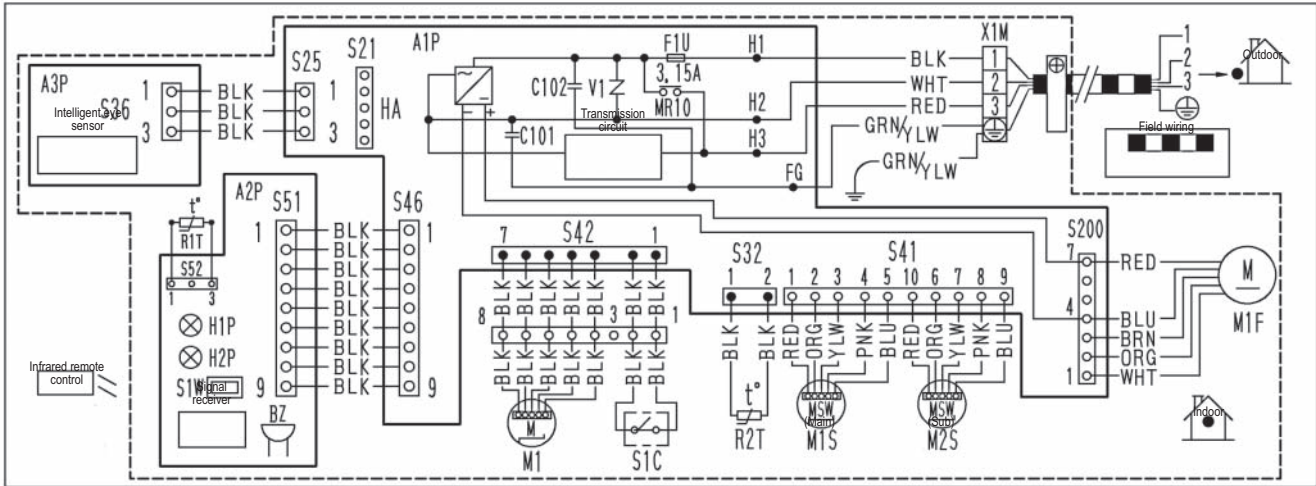
4 Piping diagram



5 Wiring diagram

5 - 1 Wiring diagram

FTXG25-35JVW/S
CTXG50JVW/S



Caution

Note that operation will restart automatically if the main power supply is turned off and then back on again.

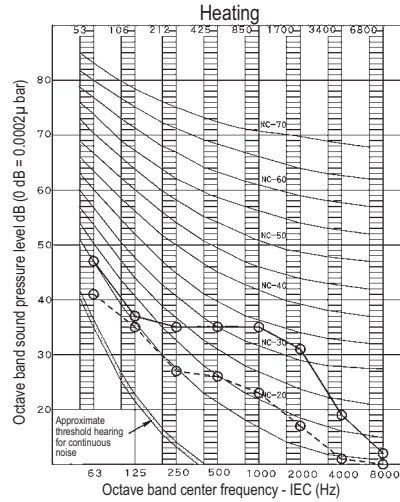
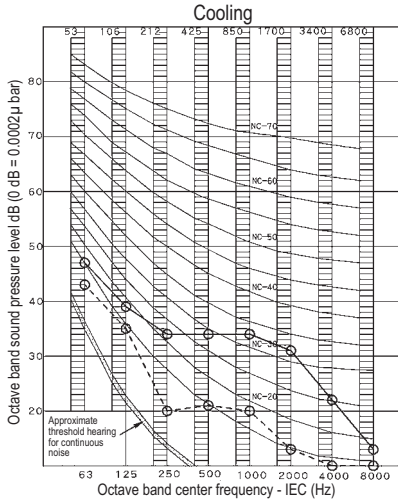
FG	Frame ground	R1T, R2T	Thermistor
F1U	Fuse	S25-S200	Connector
H1P, H2P	Pilot lamp	S1W	Operation switch
M1F	Fan motor	S1C	Limit switch
M1S, M2S	Swing motor	X1M	Terminal strip
M1	Stepping motor	BZ	Buzzer
A1P-A3P	Printed circuit board	⊕	Protective earth

3D065507-1A

6 Sound data

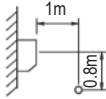
6 - 1 Sound pressure spectrum

FTXG25JVW/S



NOTES

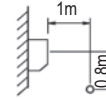
- Over All (dB): (B,G,N is already rectified)
- Measuring place: measure in anechoic room.
- Operation noise differs with operation and ambient conditions.
- Location of microphone.
JISC9612
The operation noise measuring method is in accordance with JISC9612



Scale	50Hz 220-240V	
	H	L
A	38	25

NOTES

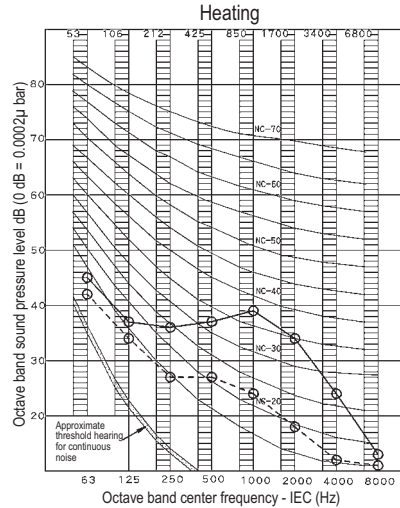
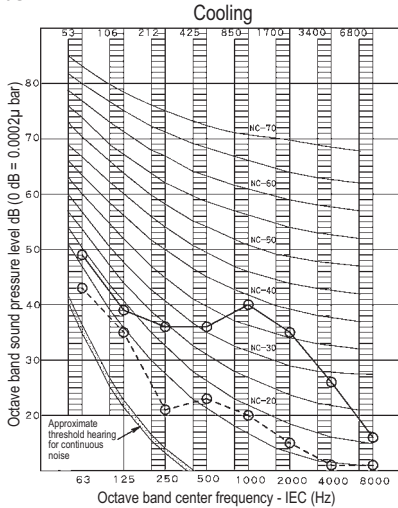
- Over All (dB): (B,G,N is already rectified)
- Measuring place: measure in anechoic room.
- Operation noise differs with operation and ambient conditions.
- Location of microphone.
JISC9612
The operation noise measuring method is in accordance with JISC9612



Scale	50Hz 220-240V	
	H	L
A	39	28

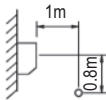
3D066708

FTXG35JVW/S



NOTES

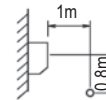
- Over All (dB): (B,G,N is already rectified)
- Measuring place: measure in anechoic room.
- Operation noise differs with operation and ambient conditions.
- Location of microphone.
JISC9612
The operation noise measuring method is in accordance with JISC9612



Scale	50Hz 220-240V	
	H	L
A	42	26

NOTES

- Over All (dB): (B,G,N is already rectified)
- Measuring place: measure in anechoic room.
- Operation noise differs with operation and ambient conditions.
- Location of microphone.
JISC9612
The operation noise measuring method is in accordance with JISC9612



Scale	50Hz 220-240V	
	H	L
A	42	29

3D066709

In all of us,
a green heart



Daikin's unique position as a manufacturer of air conditioning equipment, compressors and refrigerants has led to its close involvement in environmental issues. For several years Daikin has had the intension to become a leader in the provision of products that have limited impact on the environment. This challenge demands the eco design and development of a wide range of products and an energy management system, resulting in energy conservation and a reduction of waste.



Daikin Europe N.V. is approved by LRQA for its Quality Management System in accordance with the ISO9001 standard. ISO9001 pertains to quality assurance regarding design, development, manufacturing as well as to services related to the product.



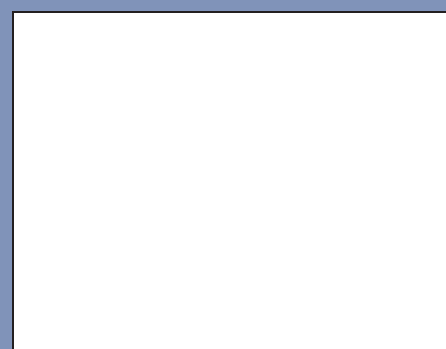
ISO14001 assures an effective environmental management system in order to help protect human health and the environment from the potential impact of our activities, products and services and to assist in maintaining and improving the quality of the environment.



Daikin units comply with the European regulations that guarantee the safety of the product.

VRV® products are not within the scope of the Eurovent certification programme.

The present publication is drawn up by way of information only and does not constitute an offer binding upon Daikin Europe N.V.. Daikin Europe N.V. has compiled the content of this publication to the best of its knowledge. No express or implied warranty is given for the completeness, accuracy, reliability or fitness for particular purpose of its content and the products and services presented therein. Specifications are subject to change without prior notice. Daikin Europe N.V. explicitly rejects any liability for any direct or indirect damage, in the broadest sense, arising from or related to the use and/or interpretation of this publication. All content is copyrighted by Daikin Europe N.V..



DAIKIN EUROPE N.V.

Naamloze Vennootschap
Zandvoordestraat 300
B-8400 Oostende, Belgium
www.daikin.eu
BE 0412 120 336
RPR Oostende